

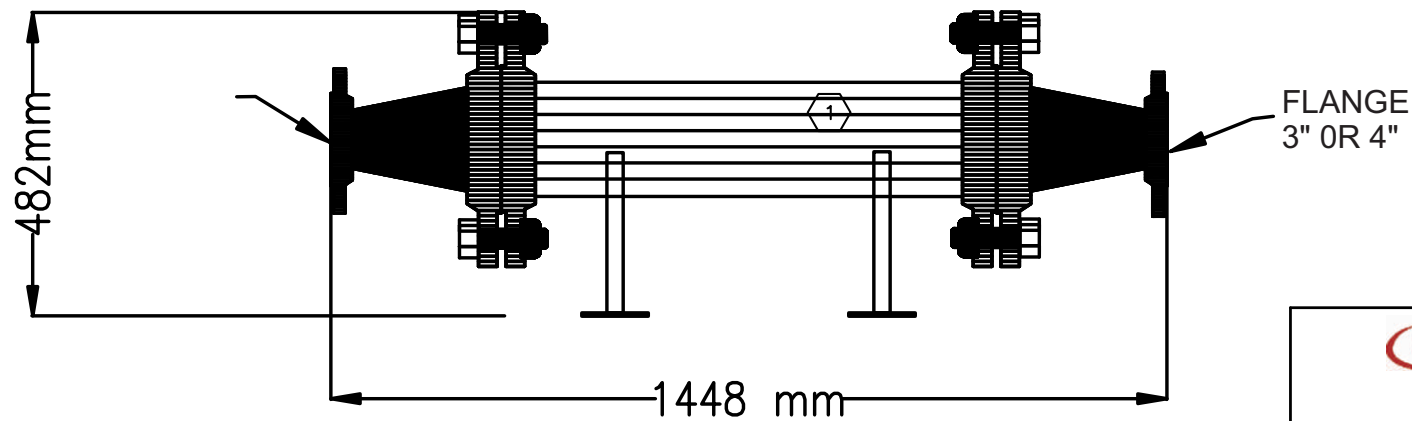
Description

1

SMC1000 CATALYZER

CARACTERISTICS

MAX TEMP.	120°C
MAX PRESSURE	1000 KPA
MAX FLOW	1000 L/M



SMC1000 DIMENSIONS



1410, Joliot-Curie
Boucherville

DISCIPLINE:

CATALYTIC WATER TREATMENT

SMC1000

DRAWING BY:
L.C. HEBERT

PROJECT BY:

Date:
21/10/18

VERIFIED BY:

Scale:

Plan No.
#1